



EXPLODED VIEW & PARTS LIST

CH2009 Pre-Charged Pneumatic Airgun .177 cal. (4.5 mm)



Manufacture Start Date: 8/30/09

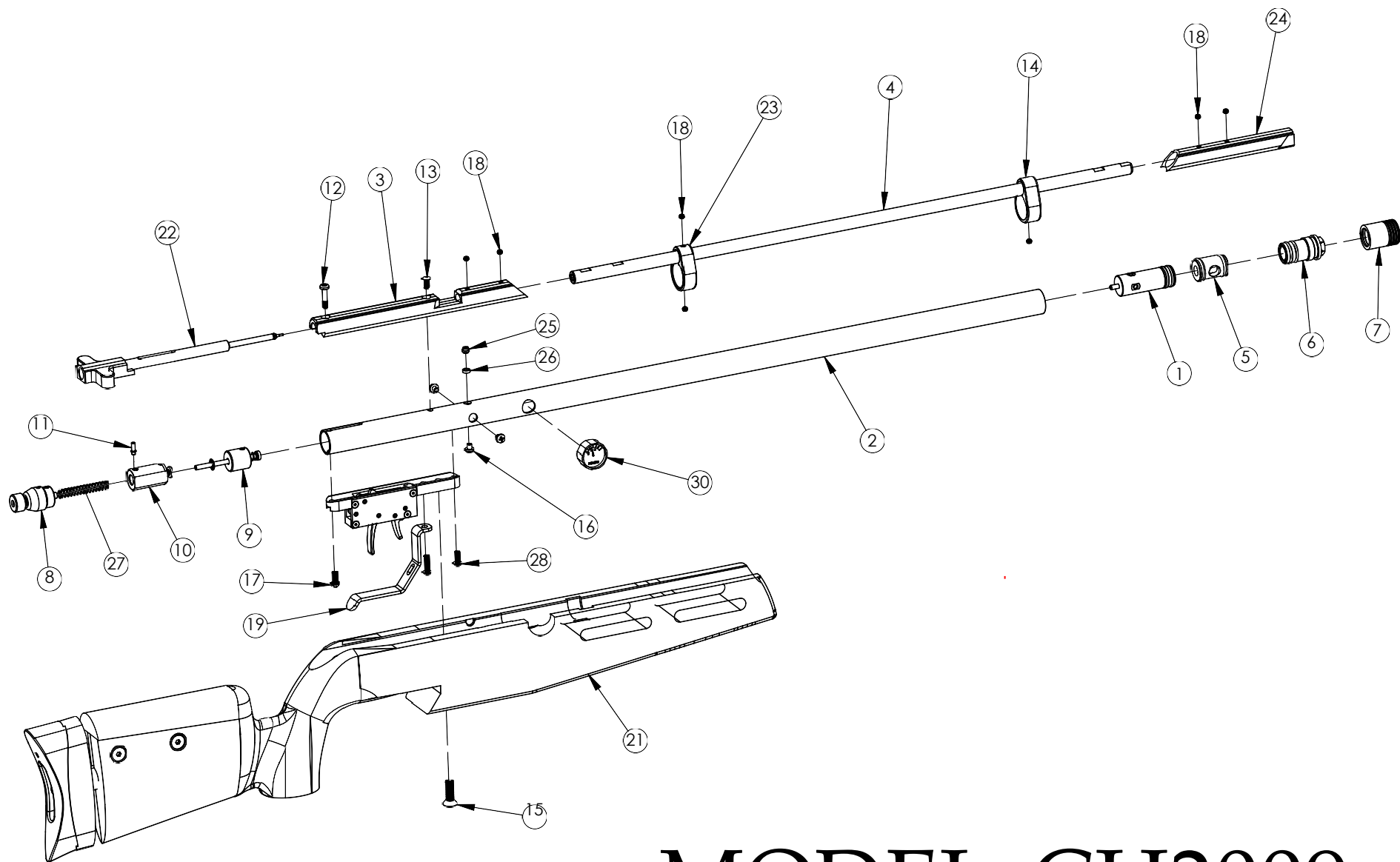
Last Update 7/16/18

CROSMAN CORPORATION
7629 ROUTES 5 & 20
BLOOMFIELD, NY 14469
Phone: 1-800-724-7486
Parts Order Fax: 585-657-5405
www.crosman.com

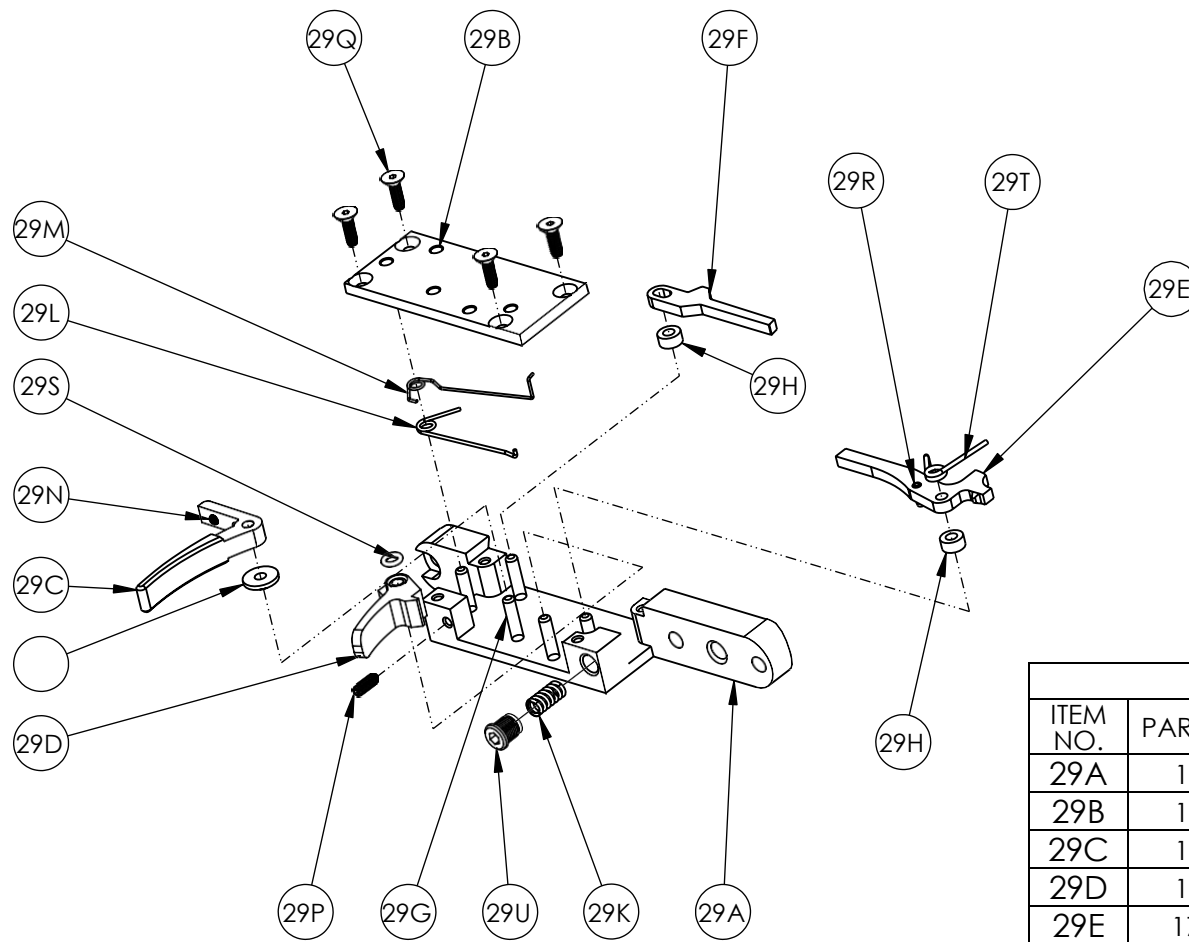
- This EVP and parts list is intended to be an informational guide in ordering parts. It is not instructional material and we therefore assume no responsibility for those who use the same without proper factory training.
- Please order by part number and description.
- Check or money order for the total price must accompany the order.
- For current prices contact Crosman Corporation at 1-800-724-7486 or visit our website www.crosman.com

	PART NUMBER	DESCRIPTION	Qty		PART NUMBER	DESCRIPTION	Qty
1	CH2009-030	Valve Assembly (pg. 5)	1	25	CH2009-026	Sleeve	1
1A	1761A002	Valve Body	1	26	130-036	Breech Gasket	1
1B	CH2009-025	Valve Cap	1	27	CH2009-022	Spring, Hammer	1
1C	1761-005	O-Ring, AS568-016	2	28	1763-035	Screw	1
1D	130-035	O-Ring, 2-111	1	29	1763A105	Trigger Assembly (pg. 4)	1
1E	788-061	Spring, Valve	1	29A	1763-040	Casing, Trigger	1
1F	1761A140	Valve Stem	1	29B	1764-041	Cover, Trigger Casing	1
2	CH2009-016	Tube	1	29C	1763-042	Trigger	1
3	CH2009R-022	Breech	1	29D	1763-043	Lever Safety	1
4	CH2009-014	Barrel, 24 Cros 177 Cal.	1	29E	1763B044	Link, Trigger	1
5	1700-104	Gauge Port Assembly	1	29F	1763-045	Sear	1
6	1761-101	Adapter Assembly	1	29G	10804	Pin, Dowel, .125 x 625	5
7	1761-102	Cap Assembly	1	29H	1763-048	Spacer, Delrin .25x .126x .123	2
8	CH2009-120	Power Adjuster Assy. (pg.5)	1	29J	1763-049	Spacer, Delrin .375x .126x .086	1
8A	CH2009-012	Plug, Tube	1	29K	1763-050	Spring, Trigger Link	1
8B	CH2009-011	Spring Compression Adj.	1	29L	1763-051	Spring, Safety	1
8C	CH2009-023	Pin, Acetal	1	29M	1763-052	Spring, Sear	1
9	CH2009-100	Transfer Bar Ass'y (pg. 5)	1	29N	1763-054	Set Screw, 4-40x .188 OV PT	2
9A	CH2009-010	Transfer Bar Guide	1	29P	1763-055	Set Screw, 4-40x .312 OV PT	1
9B	CH2009-005	Transfer Bar	1	29Q	1763-056	Screw, 4-40 x .375 FHCS	4
9C	CH2009-002	External Self Locking	1	29R	1763-057	Roll Pin, .094 x.250	1
9D	247-015	Spring	1	29S	397-062	Seal .177 Breech O-Ring	1
10	CH2009-110	Hammer Assy (pg.5)	1	29T	1763-065	Spring, Torsion, Link	1
10A	CH2009A009	Hammer	1	29U	1763A053	Screw ¼-28 x .215, Socket Hd	1
10B	1763A036	Striker Pin	1	30	1761-014	Manometer	1
10C	CH2009-023	Pin, Acetal	1				
11	2100A011	Hammer Pin	1				
12	CH2009-003	Screw, Shoulder 8-32 x .750	1				
13	CH2009-018	Screw, Breech	1				
14	CH2009-015	Barrel Band	1				
15	397-041	Stock Mounting Screw	1				
16	1761-010	Screw, #8x.188, PPH	3				
17	130B031	Screw, 8-32 x .437	1				
18	88-089	Set Screw 8-32 x 125 Cup Hex HD	7				
19	CH2009-031	Trigger Guard	1				
20	CH2009-017	Screw, Trigger Guard	1				
21	CH2009-050	Adjustable Stock	1				
22	CH2009-080	Bolt, Assembly (pg.6)	1				
22.1	CH2009-075	T. Handle	1				
22.2	CH2009-082	.125 Dia SS Ball	2				
22.3	CH2009A013	Breech Plug	1				
22.4	CH2009-007	Bolt, 177 Cal. Long Nickel	1				
22.5	397-062	Sea, 177 Breech O-Ring	1				
22.6	CH2009-001	O-Ring	1				
23	1761-021	Barrel Band	1				
24	CH2009-029	Base, Front Sight	1				

Last Update: 10/03/14

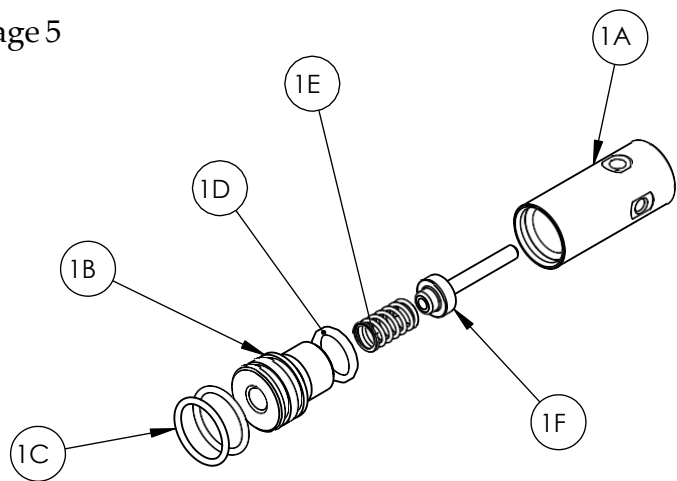


MODEL: CH2009



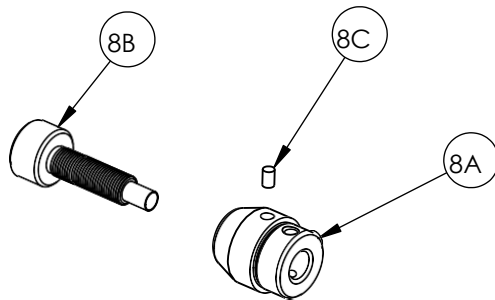
ITEM 29, TRIGGER ASSEMBLY

ITEM NO.	PART NUMBER	DESCRIPTION	QTY.
29A	1763-040	CASING, TRIGGER	1
29B	1764-041	COVER, TRIGGER CASING	1
29C	1763-042	TRIGGER	1
29D	1763-043	LEVER, SAFETY	1
29E	1763B044	LINK, TRIGGER	1
29F	1763-045	SEAR	1
29G	10804	PIN, DOWEL, .125 x .625	5
29H	1763-048	SPACER, DELRIN, .25x.126x.123	2
29J	1763-049	SPACER, DELRIN, .375x.126x.086	1
29K	1763-050	SPRING, TRIGGER LINK	1
29L	1763-051	SPRING, SAFETY	1
29M	1763-052	SPRING, SEAR	1
29N	1763-054	SET SCREW, 4-40 x .188, OV PT	2
29P	1763-055	SET SCREW, 4-40 x .312, OV PT	1
29Q	1763-056	SCREW, 4-40 x .375, FHCS	4
29R	1763-057	ROLL PIN, .094 x .250	1
29S	397-062	SEAL, .177 BREECH O-RING	1
29T	1763-065	SPRING, TORSION, LINK	1
29U	1763A053	SCREW, 1/4-28 x .215, SOCKET HEAD	1



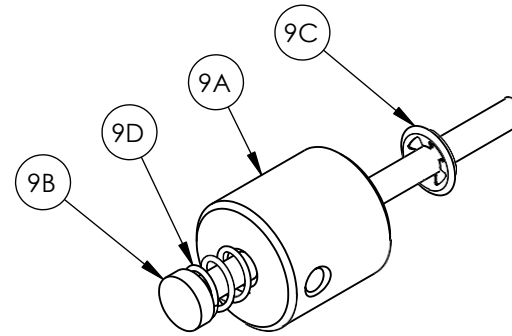
ITEM 1, VALVE ASSEMBLY

ITEM NO.	PART NUMBER	DESCRIPTION	QTY.
1A	1761A002	VALVE BODY	1
1B	CH2009-025	VALVE CAP	1
1C	1761-005	O-RING, AS568-016	2
1D	130-035	O-RING, 2-111	1
1E	788-061	SPRING, VALVE	1
1F	1761A140	VALVE STEM	1



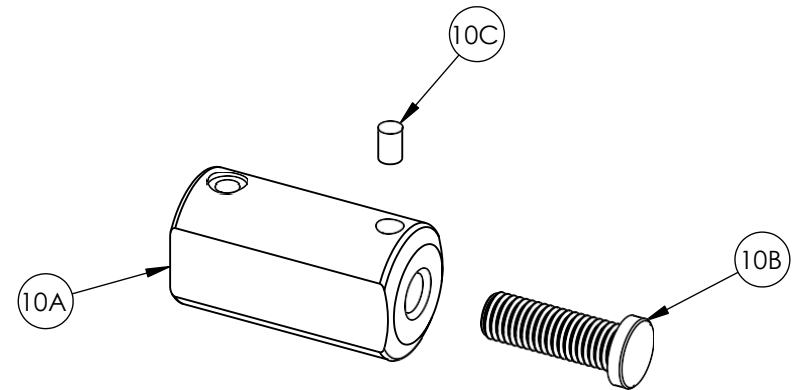
ITEM 8, POWER ADJUSTER ASSY

ITEM	PART NUMBER	DESCRIPTION	QTY.
8A	CH2009-012	PLUG, TUBE	1
8B	CH2009-011	SPRING COMPRESSION ADJ	1
8C	CH2009-023	PIN, ACETAL	1



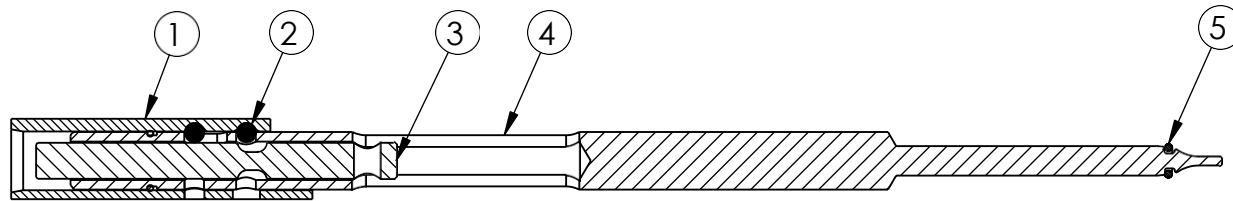
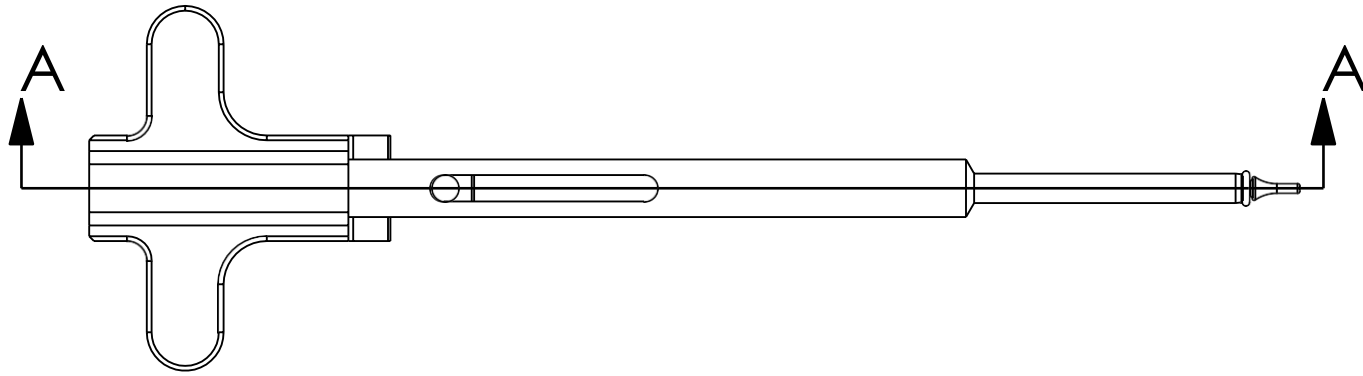
ITEM 9, TRANSFER BAR ASSY

ITEM	PART NUMBER	DESCRIPTION	QTY.
9A	CH2009-010	TRANSFER BAR GUIDE	1
9B	CH2009-005	TRANSFER BAR	1
9C	CH2009-002	EXTERNAL SELF LOCKING	1
9D	247-015	SPRING,	1



ITEM 10, HAMMER ASSY

ITEM NO.	PART NUMBER	DESCRIPTION	QTY.
10A	CH2009A009	HAMMER	1
10B	1763A036	STRIKER PIN	1
10C	CH2009-023	PIN, ACETAL	1



SECTION A-A
SCALE 1 : 1.25

ITEM 22, BOLT ASSEMBLY

ITEM NO.	PART NUMBER	DESCRIPTION	QTY.
1	CH2009-075	T HANDLE	1
2	CH2009-082	.125 DIA SS BALL	2
3	CH2009A013	BREECH PLUG	1
4	CH2009-007	BOLT, 177CAL LONG NICKEL	1
5	397-062	SEAL, .177 BREECH O-RING	1
6	CH2009-001	O-RING	1