

# SIGHT MARK<sup>®</sup>

## USER MANUAL



**T-3 Magnifier**  
SM19063



**T-5 Magnifier**  
SM19064

# ABOUT SIGHTMARK®

While Sightmark's MAKE YOUR MARK tagline perfectly illustrates our mission to provide uncompromising accuracy in virtually any environment, to us, those three words mean quite a bit more.

MAKE YOUR MARK represents our commitment; first, to those who serve; second, to our Constitutional right to bear arms, the right ensuring all others remain intact; and finally, every single professional and recreational shooting enthusiast embracing and sharing our Pro-2nd Amendment lifestyle.

MAKE YOUR MARK also symbolizes our desire to build more than a brand people know they can trust. It represents our higher calling to build an honorable, unapologetic legacy, truly appreciative of the fabric of a free society to pass on to future generations. Only accomplishing the latter truly embodies the gravity of what MAKE YOUR MARK means to us.

In the spirit of gratitude for those who preserve freedom as we know it to be, MAKE YOUR MARK is a call to action. One we take seriously when it comes to developing products worthy of our brand... and our lifetime warranty. The same brand countless professionals rely upon for performance in the best... and most assuredly, worst of times.



## **SIGHTMARK T-3 AND T-5 MAGNIFIER**

Designed to mount directly behind a reflex sight or red dot, the versatile T-3 and T-5 Magnifiers allow a quick and easy way to magnify your sight picture by 3x or 5x and provides an absolute co-witness. The T-3 and T-5 feature a streamlined, low drag design, preventing the magnifier from snagging on equipment in important situations. Ideal for engagements up to 200 yards, if a close-range shooting scenario calls for no magnification, simply use the flip-to-side mount to rapidly transition between the optic systems. This durable magnifier is constructed of aluminum and provides improved brightness and resolution from fully multi-coated optics. External windage and elevation adjustments align the reticle to the center of the T-3 or T-5's point of view. EOTech® and Aimpoint® compatible, the locking quick detach mount found on the T-3 and T-5 lets the magnifier be quickly removed. Sightmark T-3 and T-5 Magnifiers include flip-to-side LQD mount, adjustment tools and manual.

## FEATURES:

- Locking quick detach for mount for quick and easy removal
- Flip-to-side mount provides rapid transition between weapon's optical systems
- Rubber armor housing for increased durability
- Compact, lightweight design
- Increases magnification of accompanying sights for greater engagement range
- Improved target recognition, especially medium range targets
- External windage/elevation adjustment for reticle alignment
- EOTech® and Aimpoint® compatible



## TECHNICAL SPECIFICATIONS

Magnification (fixed)	3x or 5x	Material	Aluminum
Objective lens diameter (mm)	23 mm	Color	Matte black
Exit pupil diameter	7.6 mm	Mount type	Weaver/Picatinny
Eye relief (in/mm)	2.25" / 57.15 mm	Operating temperature	-22 to 160°F
Field of view, degrees	7.5°	Dimensions	4.1 x 2 x 2.1 / 103 x 51.5 x 54
Field of view, (m@100m)	13.2	Weight	12.7 oz
Field of view, (ft@100yd)	39.6		
Diopter adjustment	±3	<b>INCLUDES:</b> <ul style="list-style-type: none"> <li>• Locking quick detach flip-to-side mount</li> <li>• Adjustment tools</li> <li>• Manual</li> </ul>	
Tube diameter (in/mm)	1.18 / 30		
Maximum caliber	.308		
IP Standard (water rating)	IPX67 (waterproof)		

## DIAGRAM

1. Objective lens
2. Flip mount
3. Locking, quick detach lever
4. Elevation and windage adjustment
5. Eyepiece
6. Adjustable nut



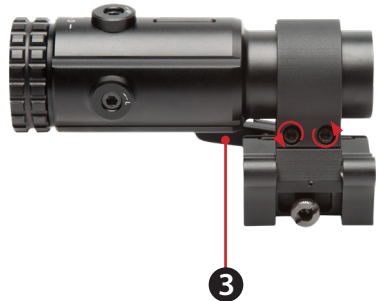
**WARNING: Always follow your firearm's instruction manual and warnings. Follow safe firearm practices.**

## MOUNTING

Mounting the flip-to-side mount to the magnifier is a very similar procedure to mounting scope rings onto a riflescope. The flip-to-side mount, however, uses a two screw clamping mechanism to quickly mount the magnifier.

1. With the provided hex key, unscrew the two socket head screws so that clamp ring is loosened. It is not necessary to completely remove the screws.
2. Insert magnifier into the flip-to-side mount and align the elevation adjustment so that it is pointing up.
3. Tighten the two socket head screws to 17 to 20 in/lbs of torque. **DO NOT overtighten.**

**NOTE:** The flip mount can be directed to flip towards the left or right side of the rifle. If the magnifier is preferred to flip towards the right, the quick detach lever (3) should face the left side of the rifle. If the magnifier is preferred to flip towards the left, the quick detach lever should face the right side of the rifle. Mount the magnifier accordingly so that the objective lens is facing the weapon sight.



Next, the Sightmark T-3 and T-5 Magnifier's flip-to-side mount has an integrated weaver picatinny mount. The quick detach mount allows for the unit to be quickly attached and detached from a firearm. The quick detach mount also features a locking quick detach lever to prevent the unit from accidentally detaching from the firearm. **To mount, position the sight so the eyepiece faces the shooter and the objective lens (1) faces the weapon sight.**

1. Slide back the lock on the quick detach lever. Flip open the quick detach lever (6) on the side of the sight. This will loosen the mount.
2. Attach the mount to the firearm's rail. Make sure the recoil bolt is positioned in the groove of the rail.
3. When the mount is in place, flip the quick detach lever back until it locks in place.
4. Check for proper eye relief and that you can see the full field of view through the magnifier while holding the rifle in a shooting position. If the full field of view cannot be obtained mount the sight in the next forward or backward groove space.

**To adjust the mount:**

5. Remove the mount from the rifle. On the side of the unit is an adjustable nut (3) that when loosened or tightened adjust the width of the mount. Adjust as needed using a small wrench or pliers.
6. Repeat steps 1-6 until the magnifier mounts securely to the firearm.

**NOTE:** To prevent injury from recoil, position the sight so that there is at least two inches of eye relief once the scope is attached. The T-3 and T-5 Magnifier provides 3" of eye relief so the sight can be used safely.



## DIOPTER ADJUSTMENT

The Sightmark T-3 and T-5 Magnifier's eyepiece (1) is designed to rotate to adjust for diopter. The diopter is the measurement of the eye's curvature. People's eyes are all curved differently. If the image does not appear clear, crisp, nor sharp, rotate the eyepiece until the image becomes clear and sharp. This adjustment should stay the same unless the magnifier's operator changes.

## OPERATING THE WINDAGE AND ELEVATION ADJUSTMENTS

The Sightmark T-3 and T-5 Magnifier has hand adjustable windage and elevation adjustments. (4). The design allows users to quickly center the reticle in the magnifier's field of view. The adjustments are continuous and have no clicks, this is designed to provide a full range of adjustment. After mounting the magnifier behind a weapon sight, the reticle may appear off-centered when looking through the magnifier. ***In order to center the reticle, windage and elevation adjustments should be made:***

1. Turn the elevation dial in the clockwise direction to move the reticle in the up direction.
2. Turn the elevation dial in the counter-clockwise direction to move the reticle in the down direction.
3. Turn the windage dial in the clockwise direction to move the reticle in the left direction.
4. Turn the windage dial in the counter-clockwise direction to move the reticle in the right direction.



*Note: Changing the reticle position in the magnifier's field of view does not affect point of impact of the weapon sight. Next, do not force further rotation of the elevation/windage adjustment when resistance is felt. This means the adjustment is at its end of travel, any forced rotation may damage the adjustment system.*

## ENGAGING THE FLIP-TO-SIDE ACTION

The flip-to-side feature provides the ability to adjust to rapid changing environments. When the shooter needs the 1x magnification of the weapon sight for close range shooting, the flip-to-side mount can be flipped to the right or left of the weapon sight while in the offset position.

### **To engage the flip-to-side action:**

1. With your hand grab the magnifier's body using a pull up/push motion the magnifier will pivot to the right or left side (*depending on how it was initially mounted*). Continue to pivot the magnifier until a click sound is heard indicating it is secured in position.
2. To return the magnifier to its co-witness position, grab the magnifier's body and with a pull up/push motion pivot the magnifier back to its original position. Continue to pivot the magnifier to its original position until a click sound is heard indicating the magnifier is secured in position.



## ADJUSTING THE TENSION OF THE FLIP-TO-SIDE ACTION

The locking tension can be made tighter or looser depending on your preference.

### ***To adjust the tension:***

1. Locate the two sets of hex socket screws on the front and back of the mount.
2. To tighten the locking tension, rotate each socket screw clockwise. To loosen the locking tension, rotate each socket screw counterclockwise. Rotate the screws in quarter turns and check the tension. Repeat adjustments and check the mechanism until the desired tension is achieved.



## MAINTENANCE

Proper maintenance of the Sightmark T-3 and T-5 Magnifier is recommended to ensure longevity. It is recommended that when the sight becomes dirty that it is wiped down with a dry or slightly damp cloth. Blow dirt and debris off all optics and then clean lenses with a lens cleaning cloth. To remove oils or dried water spots, apply a small amount of denatured alcohol to a lens cloth or cotton swab. Clean the surface of the lens and let dry. Finally use your breath to clean the lens once more. No further maintenance is required. Do not attempt to disassemble any components of the magnifier. To ensure the flip action operates smoothly, apply a dry lubricant to the ball detents. ***DO NOT use an oily lubricant as this can attract dust and cause friction in the pivot and locking system.***

## STORAGE

Make sure your Sightmark Magnifier is securely attached to your firearm before storing.

## WARNING

- Before handling the Sightmark T-3 and T-5 Magnifier read and understand the contents of your firearm's manual, and the Sightmark manual. Follow all standard safety precautions and procedures during firearm operation, even when the reflex sight is not in use.
- Avoid hitting or dropping the unit.
- ALWAYS check the chamber of your weapon is clear before mounting or dismounting the reflex sight.
- The reticle illumination should be tested during periods of non-use to make sure it is still operating properly. Failure to follow standard firearm safety precautions and procedures, as well as the above warnings, is dangerous and may result in serious injury, damage to property, or death.

## TROUBLESHOOTING

Never ship back a product without getting proper authorization beforehand. Doing so could result in losing the product due to a multitude of reasons, i.e. sending it to the wrong address and other problems associated with unexpected packages.

### ***It is difficult to pivot the mount's flip-to-side action:***

1. Slightly loosen each socket hex screw on the front and back of the magnifier mount. Follow the instruction "Adjusting the tension of the flip-to-side action".

### ***The mount does not stay secured in the flipped position:***

1. Slightly tighten each socket hex screw on the front and back of the magnifier mount. Follow the instruction "Adjusting the tension of the flip-to-side action".

### ***The reticle is blurry and not in focus:***

1. Rotate the eyepiece to adjust the diopter adjustment until the reticle becomes clear and sharp. If the reticle remains fuzzy, this is a limitation of the reflex or red dot sight, not the magnifier. Some reflex/red dots use a conventional single lens system. Single lens systems have spherical aberrations which is an optical effect that occurs when light is reflected off the objective lens at different angles and does not converge at a single focal point. To the naked eye, the disparity between light rays in a single lens system is undetectable and washed out by light. When the reticle is viewed through a magnifier the imperfections are magnified resulting in a slightly blurry reticle. Some red dots may appear to have a tail or appear as an oval instead of circle while crosshair designs may appear slightly fuzzy. This is not a defect with the magnifier, but a performance limitation of the weapon sight's ability to accurately collimate light.

*This Sightmark T-3 / T-5 Magnifier belongs to:*

Name

Address

City, State, zip

phone

email

**NOTES**





SIGHT  MARK<sup>®</sup>

[www.sightmark.com](http://www.sightmark.com)