



reximex



ZONE

PCP AIRGUN OWNERS MANUAL

.177 Cal. - .22 Cal. - .25 Cal

**READ ALL INSTRUCTIONS AND WARNINGS
IN THIS MANUAL BEFORE USING THIS AIRGUN**

INDEX



reximex

<u>Page</u>	<u>Content</u>
2	Reviewing Safety
3	Operating The Safety
3	Filling And Degas The Airgun
4	Filling The Airgun Tank
4	Reduce Pressure The Airgun
5	Loading The Airgun
6	Un-Loading And Un-Cocking
7	Power Adjustment
7	Aiming And Firing Safely
8	Jammed Pellet
8	Trigger Adjustment
9	Recoil Pad Adjustment
9	Maintaining Your Airgun

1. WARRANTY

All REXIMEX PCP Airguns carry a One Year Warranty against faulty workmanship and defective materials. Contact the dealer from which you purchased the airgun if it becomes necessary. If the airgun develops a defect within the warranty period, contact the dealer from whom it was purchased. The guarantee does not cover any damage caused by tampering with the airgun.

This airgun should only be disassembled by factory-authorized repairmen.

2 WARNING!

WARNING! NOT A TOY. THIS AIRGUN IS RECOMMENDED FOR ADULT USE ONLY. MISUSE OR CARELESS USE MAY CAUSE SERIOUS INJURY OR DEATH. MAY BE DANGEROUS UP TO 800 YARDS (732 METERS).

WARNING! DO NOT BRANDISH OR DISPLAY THIS AIRGUN IN PUBLIC. IT MAY CONFUSE PEOPLE AND MAY BE A CRIME.

DO NOT CHANGE THE COLORATION AND MARKINGS TO MAKE IT LOOK MORE LIKE A FIREARM. POLICE AND OTHERS MAY THINK IT IS A FIREARM AND IT MAY BE A CRIME.

YOU AND OTHERS NEXT TO YOU SHOULD ALWAYS WEAR SHOOTING GLASSES TO PROTECT YOUR EYES.

BUYERS AND USERS HAVE TO OBEY THE LAWS ABOUT THE USE AND OWNERSHIP OF THIS AIRGUN

WARNING! NEVER ATTEMPT TO DISASSEMBLE THIS AIRGUN WHILE IT IS CHARGED!
FAILURE TO OBEY THIS INSTRUCTION COULD RESULT IN PERSONAL INJURY OR DAMAGE TO THE AIRGUN!

3 SAFETY REVIEW

- Never use the airgun if you are intoxicated or under the influence of drugs.
- Even if there is no pressure sign on the manometer, never disassemble the pressurized tube!
- Never fire the airgun when it is empty of air or when the air cylinder is removed!
- Never point the airgun at anyone, or allow anyone to point an airgun at you!
- Treat every airgun as if it is loaded even if you know it is not loaded!
- Always carry the airgun so that the direction of the muzzle is under control, even if you stumble.
- Always be sure of your target and what lies behind it before firing your airgun.
- Never leave a loaded airgun unattended.
- Beware of targets that tend to cause ricochets.
- It is recommended that eye protection is worn when charging the air cylinder.
- Always use caution when operating this airgun.
- Only use dry cloth to clean any dirt inside the barrel for various reasons (humidity, dust, etc.)
- In your airgun, only use synthetic or mineral base high viscosity oil in order not to create filling effect with lower tolerance parts.
- Learn and obey the laws in your location.
- Be responsible in your use of this weapon!

REXIMEX PCP airguns are designed specifically for use with DRY COMPRESSED AIR. NO OTHER GAS OR GAS COMBINATION CAN BE USED.

The Airgun may be filled by a Diving Scuba Tank or a suitable compressor
MAXIMUM SAFE WORKING PRESSURE (SWP): 250 BAR



DANGER OF EXPLOSION!

THE AIR TANK POSES THE EXPLOSION RISK IF IT GETS HEATED SUBJECT TO SUNTRAY FOR EXTENDED PERIOD OF TIME.

(Max. + 40° / Min. -05°)

OTHERWISE, THE AIRGUN SHOULD BE LEFT TO COOL DOWN IN A COOL ENVIRONMENT
RECOMMENDED TO BE TRANSPORTED UNDER MAXIMUM 80 BARS PRESSURE DURING FLIGHTS.

4 GENERAL INSTRUCTIONS & OPERATING SAFETY

- REXIMEX Airguns should be fitted with a scope or alternate optic sights before use.
- Before using your airgun, read and abide by the basic safety rules.



MANUAL SAFETY

CAUTION: Like all mechanical devices, airgun safety can fail. Even when the safety is on "SAFE" you should continue to handle the airgun in a safe manner.

Locate the safety switch of the airgun directly above the trigger, inside the trigger guard. Safety switch can be set to "S" (SAFE) and "F" (FIRE) positions manually.

The Letters "S" (SAFE) and "F" (FIRE) are located below the trigger guard.

A - Airgun on "S" (SAFE) Position

To set the safety on, push the safety switch to the left side of the airgun. In this position the trigger cannot be pulled and the airgun cannot be fired.



B - Airgun on "F" (FIRE) Position

To set the safety off, push the safety switch to the right side of the airgun. In this position the trigger can be pulled and the airgun can be fired.



WARNING! KEEP THE AIRGUN IN THE "SAFE" POSITION UNTIL YOU ARE READY TO SHOOT. WHEN READY PUSH THE SAFETY SWITCH TO "FIRE" POSITION

5 OPERATING INSTRUCTIONS

A. FILLING THE AIR CYLINDER

Warning!

1. Before filling the air cylinder; make sure the airgun is on "S" (SAFE) position, no pellets are loaded in the air airgun and/or barrel and magazine is not mounted in the gun.

NOTE: If the air cylinder pressure is at "0" Bar, then it will be necessary to cock the airgun to remove the force of the Hammer against the firing Valve. Otherwise, the air will pass through the firing Valve out the barrel, and the air cylinder will not pressurize.

2. Take all safety measures before filling the air cylinder. It is compulsory for the user and to wear eye & ear protection when filling the air cylinder.

3. While filling in the air cylinder; the pressure in the air cylinder must be monitored from the air gauge of the hand pump or scuba charging kit. Do not look at the air gauge on the air cylinder during filling process. Instead, reference the gauge on your fill device.

Assemble the filling equipment hose with the filling probe that is provided inside the box. Pull back on the outer sleeve on the quick connect fitting to release it from your airgun, when your tube is filled. If you hear SOUND of air during the first filling, move the jack and enable the O rings to be air-proof. (if the leakage continues, O rings might be deformed)

Overfill

In case of overfilling, PRESSURE SAFETY VALVE WASHER is located on your airgun. This washer will tear if the air pressure on your airgun reaches to a dangerous level and this will prevent any potential over pressure danger.

In case the safety valve washer is torn, a spare washer is included in your box and it needs to be changed.

B. LOADING THE AIRGUN

CAUTION: Never re-use ammunition.

Review the entire manual, including the section on Safety, before firing your airgun.

CAUTION: Know your airgun's loading mechanism for safest use! Pellets can either be loaded one by one using a single shot tray, or multiple pellets may be loaded using the rotary magazine. With the magazine placed correctly, EVERY action of closing the side lever WILL place a pellet into the chamber.

DO NOT TRY TO CLOSE THE SIDE LEVER WHEN THE MAGAZINE IS NOT LOADED!!!

Do not re-cock the airgun while there is pellet loaded inside the chamber!! This will load multiple pellets at the same time and may damage your airgun.

Removal of the magazine WILL still leave the chambered pellet in place unless the airgun is fired.

Loading the Magazine

Make sure your airgun is on "SAFE" position and is pointed to a SAFE DIRECTION.

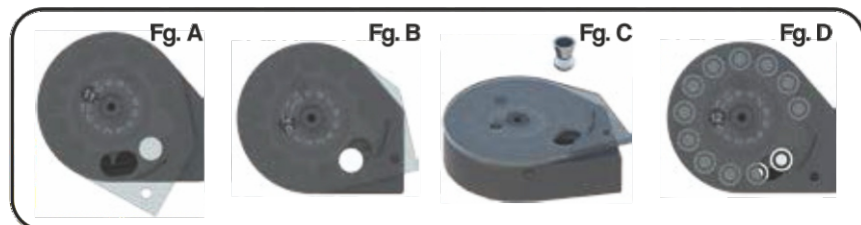
If the magazine is fitted on the airgun, remove it to begin loading or unloading.

Move the clear cover over the catch point and rotate in the direction of the arrows (clockwise) Fig. A.

Place a finger under the magazine covering the hole, place the first pellet in the magazine nose first, make sure that the pellet does not protrude out of the magazine. If the pellet does protrude, simply push the pellet inward. Fig. B

Rotate the cover counterclockwise and place the remaining pellets into the magazine. Upon completion rotate the cover until it comes to rest. Fig. C

If it looks like Fig. D. The magazine is now ready for use.



Placing the loaded Magazine on the AirGun & Firing Safely

NOTE: Following these directions will load your airgun and it will be ready to FIRE.

Make sure your airgun is on "SAFE" position and is pointed to a SAFE DIRECTION.

- To fit the magazine into the airgun, pull the cocking handle backwards until it stops.
 - With the cover of the magazine facing the butt of the airgun, insert the magazine from the right side and push it inward until it snaps into place.
 - The line on the back of the magazine should align with the line on the loading slot of the airgun. **YOU WILL DAMAGE THE MAGAZINE IF IT IS NOT PLACED CORRECTLY**
 - Pull the cocking handle to its rear-most position.
 - Push the cocking handle forward fully and ensure that it lays flat against the airgun in order to chamber a pellet.
 - After following these steps and reading the entire manual, including the section of safety procedures, your airgun is now loaded and ready to fire.
- DO NOT CLOSE THE COCKING HANDLE / MAGAZINE RELEASE BOLT UNTIL YOU ARE READY TO FIRE.**
- Aim at your intended target and disengage the safety and prepare to shoot.
 - Pull the trigger gently and the airgun will fire.
 - To reload airgun, pull the cocking handle to its rear-most position. This will index the magazine and align the next pellet with the barrel. Then, repeat previous steps.



C. UN-LOADING & UN-COCKING THE AIRGUN

Un-loading & Removing the Magazine

1. Pulling the cocking handle to its rear-most position and Pushing it forward fully while the magazine is loaded will result in chambering a pellet.

2. To unload the airgun, it is recommended to fire the pellet in a SAFE DIRECTION.

3. Pull the side lever back to the rear position.

CAUTION: This action **WILL** cock the airgun.

4. Push the magazine out of the receiver from the left side.

5. Un-cock the airgun for safe storage.

Un-Cocking

When you are finished shooting, remove the magazine as instructed and un-cock the airgun by following the steps below:

1. Point the airgun in a SAFE DIRECTION.

2. Take the airgun on "FIRE" position.

3. Pull the cocking handle back to its rear-most position.

4. While firmly holding the cocking handle in the rear position, pull the trigger.

5. Continue to hold the trigger back while sliding the side lever forward to the latched position.

6. Release the trigger.

7. Put the airgun on "SAFE" position.

WARNING! EVEN THOUGH YOU FOLLOW THE UNLOADING PROCEDURE, CONTINUE TO TREAT THE AIRGUN AS IT IS LOADED. NEVER POINT THE AIRGUN AT ANYTHING YOU DO NOT INTEND TO SHOOT.

D. COCKING LEVER REPLACEMENT

1. Remove the cover of the cocking lever.

2. Remove the upper frame cover.

3. Remove the pin holding the cocking lever with your hand or pliers.

4. After switching the side of the cocking lever, replace the pin.



E. POWER ADJUSTMENT

Simply rotate the power switch while the airgun is un-cocked in the "+" or "-" direction and set the desired power level.

Power switch can be easily adjusted using the removable handle of the Cocking Lever!!!



F. JAMMED AMMO

A jammed ammo is usually caused by firing the airgun when the air pressure is too low.

Please, do not operate your airgun below 100 bar (1500 PSI) air pressure.

CAUTION: Never try to look through the barrel to see if a jammed ammo is cleared.

Make sure the airgun is on "SAFE" position and pointed in a SAFE DIRECTION.

- Pull the cocking handle back to its rear-most position.
- Insert a clearing rod of the proper size into the barrel, starting from the muzzle (Barrel may be damaged if the clearing rod is not proper size)

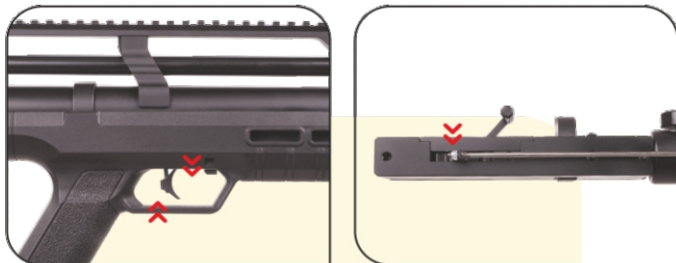
NOTE: Cocking handle must be at its rear-most position for the jammed ammo to clear the breech when it is pushed out by the ramrod.

- Push or tap ammo towards the breech end of the barrel until the pellet is extracted from the chamber.
- Operate carefully in order not to damage the chamber sealing O-ring.
- Remove and discard the ammo.
- Do not reuse that ammo.

If you are not successful removing the jammed ammo following above instructions, take no further action. REXIMEX Technical Service or an Authorized Service Station will unjam your airgun (Free of charge during the warranty period).

G. TRIGGER ADJUSTMENT

- First, remove the grip area using an Allen wrench. (Bottom of the grip)
- After removing the grip area successfully, trigger sensitivity adjustment may be done using an Allen wrench as shown on the picture.
- Re-mount the grip using the size 5,5 mm pipe key.



H. BUTT-PAD ADJUSTMENT

- Adjust up and down with the help of the buttons on the side of the pad.
- Adjust back and forth with the help of Allen wrench.



WARNING! DO NOT MODIFY OR ALTER YOUR AIRGUN. ATTEMPTS TO MODIFY THE AIRGUN IN ANY WAY INCONSISTENT WITH THIS MANUAL MAY MAKE YOUR AIRGUN UNSAFE TO USE, CAUSE SERIOUS INJURY OR DEATH, AND WILL MAKE THE WARRANTY INACTIVE.

WARNING! DO NOT ATTEMPT TO REPAIR YOUR AIRGUN OR TO DISASSEMBLE TO CORRECT AN OVER-FILL OR VALVE LOCK. PARTS MAY FLY OUT FROM THE AIRGUN AT DANGEROUS SPEEDS IF IT IS DISASSEMBLED WHILE PRESSURIZED.

I. MAINTENANCE

- Apply Reximex silicone chamber oil on the barrel breech and O-rings every 3 months or 500 shots.
- Periodically check your airgun. If anything feels different, like a shorter or weaker trigger pull, this may mean worn out or broken parts, call Reximex customer service for assistance before re-using your airgun.

REPLACEMENT OF O-RINGS

After a period of time, the O-rings on the fill probe will need to be replaced. The need for this will become noticeable if air is heard leaking from the nozzle while charging the airgun.

LUBRICANT

General: Keep the airgun clean and wipe it off with regular gun oil and a cloth occasionally.

Fill probe: Apply a thin layer of suitable mineral based oil occasionally or when dried out.

Magazines: Apply a thin layer of suitable mineral based oil occasionally or when dried out.

Cocking handle and Sidelever Sliding Surface: Apply a thin layer of a standard multipurpose grease occasionally or when dried out.

WARNING: Never use grease or spray oil in the moving parts inside the gun. This can result in unstable power and also leakage. Be moderate with lubricant.

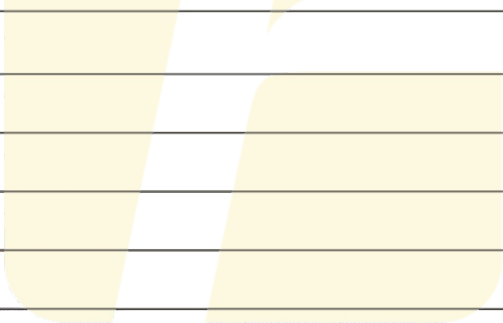
J. STORAGE

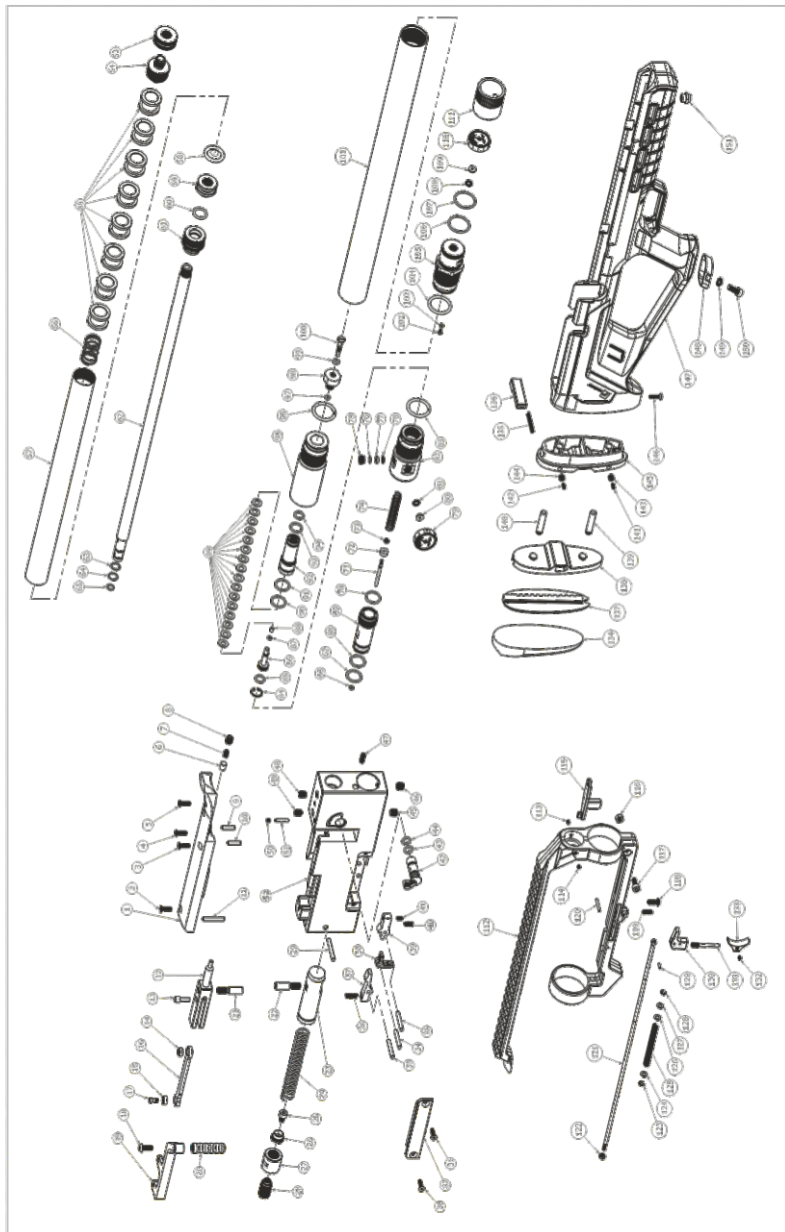
Store in a place that is dry and dark. Store with air pressure between 50-200 bar in the airgun.

WARNING!

- Keep away from spaces with high humidity as steel parts might corrode.
- Keep away from bright sunlight as this shortens the life of the O-rings.
- Never store the airgun loaded with pellets.

NOTES






Balloon No.	Part Code / Standard	Part Name	MARKET
1	ZN-1-17	Top Cover	MARKET
2	ISO 10642	M3 x 10 - Socket Countersunk Head Screw	MARKET
3	ISO 10642	M3 x 10 - Socket Countersunk Head Screw	MARKET
4	ISO 10642	M3 x 10 - Socket Countersunk Head Screw	MARKET
5	ISO 10642	M3 x 10 - Socket Countersunk Head Screw	MARKET
6	ZN-1-20	Coupler Pin	SHOP
7	ZN-1-21	Coupler Pin (Sided)	MARKET
8	ISO 4026	M5 x 6 - Flat Probe SetScrew	MARKET
9	ISO 8734	3 x12 - Parallel Pin	MARKET
10	ISO 8734	3 x12 - Parallel Pin	MARKET
11	ISO 8734	3 x10 - Parallel Pin	MARKET
12	ZN-1-9	Roller Pusher - 4.55 mm	SHOP
		Roller Pusher - 5.50 mm	SHOP
		Roller Pusher - 6.95 mm	SHOP
13	ZN-1-10	Pellet Pusher Pin	SHOP
14	Rollman	3x2x3	MARKET
15	Rollman	3x2x3	MARKET
16	ZN-1-11	Cocking Lever Link	WIRE CUI
17	ZN-1-12	Cocking Lever Link Rear Screw	SHOP
18	ISO 7389	M4 x 10 - Button Head Screw	MARKET
19	ZN-1-13	Cocking Lever	WIRE CUI
20	ZN-1-24	Cocking Lever Handle	SHOP
21	ZN-1-8	Pellet Pusher Screw	SHOP
22	ZN-1-7	Hammer Spring	MARKET
23	ZN-1-2	Hammer	MARKET
24	ZN-1-6	Hammer Spring	MARKET
25	ISO 4762	M4 x 6 - Hex Socket Head Screw	MARKET
26	ZN-1-3	Hammer Spring Base Ring	SHOP
27	ZN-1-5	Hammer Spring Base Body	SHOP
28	ZN-1-4	Hammer Spring Base Inner Piece	SHOP
29	ISO 8734	3 x24 - Parallel Pin	MARKET
30	ISO 10642	M3 x 10 - Socket Countersunk Head Screw	MARKET
31	ISO 10642	M3 x 10 - Socket Countersunk Head Screw	MARKET
32	ZN-1-18	Side Cover	MARKET
33	ISO 8734	3 x20 - Parallel Pin	MARKET
34	ISO 8734	3 x20 - Parallel Pin	MARKET
35	ISO 8734	3 x20 - Parallel Pin	MARKET
36	ZN-1-22	Hammer Holder Spring	MARKET
37	ZN-1-34	Hammer Holder	WIRE CUI
38	ZN-1-16	Trigger Rod Lever	MARKET
39	ZN-1-15	Hammer Holder Sear Spring	WIRE CUI
40	ZN-1-23	Hammer Holder Sear Spring	MARKET
41	ISO 4026	M3 x 5 - Flat Point SetScrew	MARKET
42	ZN-1-19	Power Adjustment Valve	SHOP
43	O-Ring	5.50 x 1.50 / NBR70	MARKET
44	O-Ring	5.50 x 1.50 / NBR70	MARKET
45	ISO 4026	M5 x 6 - Flat Point SetScrew	MARKET
46	ISO 4769	M4 x 10 - Grooved Ball Head SetScrew	MARKET
47	ISO 4762	M5 x 6 - Flat Point SetScrew	MARKET
48	ISO 4762	M5 x 6 - Flat Point SetScrew	MARKET
49	ISO 4762	M3 x 3 - Flat Point SetScrew	MARKET
50	ISO 8734	2.5 x 12 - Parallel Pin	MARKET
51	ZN-1-1	Chassis	SHOP
52	ZN-1-3	Chassis	SHOP
53	ZN-1-6	UNF Thread Shaft	SHOP
54	ZN-1-2	Front Shroud Cap	MARKET
55	ZN-1-6	Suppressor Buffer (2 pcs)	PLASTIC INJECTION
56	ZN-1-4	Suppressor Spring	MARKET
57	ZN-1-6	Shroud Cap	SHOP
58	O-Ring	18 x 4 / NBR70	MARKET
59	ZN-1-5	Modulator Tap	SHOP
60	O-Ring	13.69 x 2.40 / NBR70	MARKET
61	ZN-1-7	Rear Shroud Cap	SHOP
62	ZN-1-8	48cm Barrel (4.50 mm)	SHOP
		48cm Barrel (5.50 mm)	SHOP
		48cm Barrel (6.95 mm)	SHOP
63	O-Ring	9.50 x 1.50 / NBR70	MARKET
64	O-Ring	9.50 x 1.50 / NBR70	MARKET
		4.20 x 1.60 / NBR70	MARKET
		5.90 x 1.60 / NBR70	MARKET
65	O-Ring	6.50 x 1.50 / NBR70	MARKET


Balloon No.	Part Code / Standard	Part Name	MARKET
66	O-Ring	3 x 1.50 / NBR70	MARKET
67	O-Ring	3x 2 / NBR70	MARKET
68	O-Ring	3x 2 / NBR70	MARKET
69	ZN-2-1	Hammer Valve Housing	MARKET
70	O-Ring	3x 2 / NBR70	MARKET
71	ZN-2-2	Hammer Valve	MARKET
72	ZN-2-3	Hammer Valve Pad	PLASTIC INJECTION
73	ISO 4027	M5 x 10mm Screws	MARKET
74	ZN-2-4	Hammer Valve Spring	MARKET
75	ZN-2-4	Roller Disk Spring	MARKET
76	ZN-2-43	Copper Buffer Disk	MARKET
77	ZN-2-12	Buffer Disk Seal Pad	PLASTIC INJECTION
78	Stager Pul	M5 - Bonded Seal	MARKET
79	ZN-2-30	Regulator Pressure Gauge	MARKET
80	ZN-2-11	Regulator Pressure Gauge Pad	PLASTIC INJECTION
81	Stager Pul	M5 - Bonded Seal	MARKET
82	ZN-2-7	Air Tank Rear Tap	MARKET
83	O-Ring	24 x 3 / NBR70	MARKET
84	DIN 872	15 x 1 - Internal Spring Nut	MARKET
85	O-Ring	9 x 2 / NBR70	MARKET
86	RR-1-3	Regulator Valve	MARKET
87	O-Ring	3 x 1.50 / NBR70	MARKET
88	RR-1-6	Regulator Valve Polymer Pad	MARKET
89	Pul / Yw	Regulator Spring (Disk Spring) (2pcs)	MARKET
90	O-Ring	15.5 x 2 / NBR70	MARKET
91	O-Ring	15.5 x 2 / NBR70	MARKET
92	RR-1-2	Regulator Body	MARKET
93	O-Ring	12 x 2 / NBR70	MARKET
94	O-Ring	9 x 2 / NBR70	MARKET
95	RR-1-1	Regulator Chassis	MARKET
96	O-Ring	24 x 3 / NBR70	MARKET
97	O-Ring	3 x 2 / NBR70	MARKET
98	RR-1-5	Regulator Outer Spring	MARKET
99	O-Ring	5 x 2 / NBR70	MARKET
100	RR-1-4	Regulator Inner Spring	MARKET
101	ZN-1-5	Adjustment Air Tube	MARKET
102	ISO 10642	M3 x 6 - Socket Countersunk Head Screw	MARKET
103	O-Ring	3 x 1.50 / NBR70	MARKET
104	O-Ring	24 x 2.3 / NBR70	MARKET
105	ZN-2-6	Air Tank Front Tap	MARKET
106	Stager Pul	M5 - Bonded Seal	MARKET
107	O-Ring	24 x 2 / NBR70	MARKET
108	O-Ring	24 x 2 / NBR70	MARKET
109	ZN-2-16	Air Tube Pressure Gauge Pad	PLASTIC INJECTION
110	ZN-2-15	Air Tube Pressure Gauge	MARKET
111	ZN-2-8	Air Tube Pressure Gauge Ring	MARKET
112	ZN-1-1	Plastivity Ring	MARKET
113	ISO 4026	M3 x 3 - Flat Point SetScrew	MARKET
114	ISO 4026	M3 x 2 - Flat Point SetScrew	MARKET
115	ZN-1-1	Safety	MARKET
116	ISO 4032	M4 Hex Nut	MARKET
117	ISO 4762	M4 x 10 - Socket Head Screw	MARKET
118	ISO 4769	M4 x 10 - Grooved Ball Head Screw	MARKET
119	ISO 4766	M4 x 10 - Grooved Ball Head Screw	MARKET
120	ISO 8734	2 x 10 - Parallel Pin	MARKET
121	ZN-1-2	Trigger Rod	MARKET
122	ISO 4032	M3 Hex Nut	MARKET
123	DIN 6799	2.8 x 0.4 - Outer Spring	MARKET
124	ISO 7089	M3 - Plain Washer	MARKET
125	ZN-1-7	Trigger Rod Spring	MARKET
126	ISO 7089	M3 - Plain Washer	MARKET
127	ISO 7089	M3 - Plain Washer	MARKET
128	DIN 6799	2.8 x 0.4 - Outer Spring	MARKET
129	ISO 8734	2 x 6 - Parallel Pin	MARKET
130	ZN-1-3	Trigger Spring	MARKET
131	ZN-1-4	Trigger Finger Piece Body	MARKET
132	ISO 4026	M3 x 3 - Flat Point SetScrew	MARKET
133	ZN-1-6	Trigger Finger Piece	MARKET
134	ZN-1-4	Stock Shoulder Rest	PLASTIC INJECTION
135	ZN-1-5	Shoulder Rest Adjustment Button	PLASTIC INJECTION
136	ZN-1-6	Shoulder Rest Adjustment Button Spring	MARKET
137	ZN-1-3	Shoulder Rest Spring	PLASTIC INJECTION
138	ZN-1-7	Stock Fixed Piece	PLASTIC INJECTION
139	ZN-1-9	Stock Fixed Piece Lower Rod	MARKET
140	ZN-1-8	Stock Fixed Piece Upper Rod	MARKET
141	ZN-1-32	Stock Fixed Piece Base Lower SetScrew Anchor	MARKET
142	ZN-1-11	Stock Fixed Piece Base Upper SetScrew Anchor	MARKET
143	ISO 4026	M4 x 8 - Flat Head SetScrew	MARKET
144	ISO 4026	M4 x 8 - Flat Head SetScrew	MARKET
145	ZN-1-30	Stock Fixed Piece Base	PLASTIC INJECTION
146	DIN 7981	d4 2 - L15 - Sheet Metal Screw	MARKET
147	ZN-1-1	Synthetic Stock	PLASTIC INJECTION
148	ZN-1-2	Stock Handstop Cap	PLASTIC INJECTION
149	DIN 6738	M5 Spring Washer	MARKET
150	ISO 4762	M5 x 16 - Hex Socket Head Screw	MARKET
151	ZN-1-2	Plastivity Assembly Screw Bush	MARKET



REXIMEX İt. İh. Av Malz. Sav. San. Tic. Ltd. Şti.

 Bayařar Mahallesi 41958. Sokak No:3 Beyřehir / Konya

 0332 511 0055  export@reximex.com

 www.reximex.com



/Reximexarms



/Reximexarms



/Reximexarms