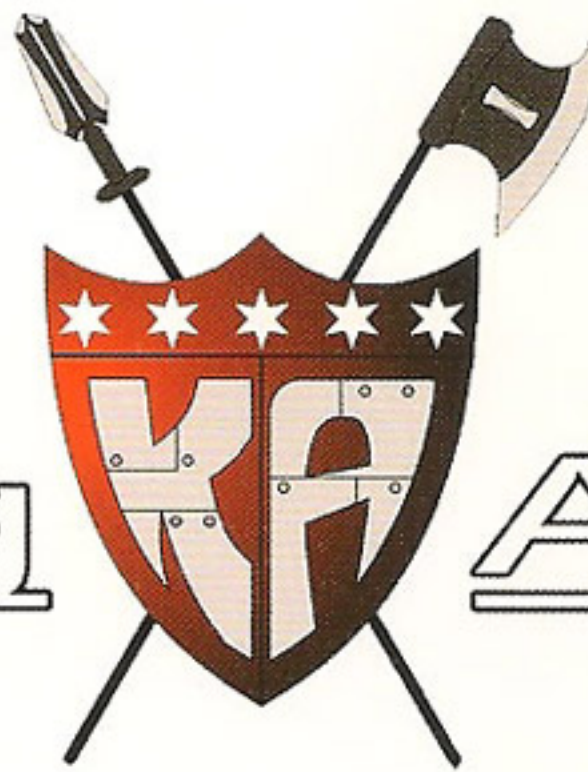


King Arms



Instruction manual

M79 Grenade Launcher

Read through this manual carefully before operating this product.
User of this product must be over 18 years of age or older.
The shooting range of the plastic BB bullet can reach up to 100 meters, beware at all time.
King Arms is not responsible for any damage due to using this product.
This product is for airsoft only.

M79 Grenade Launcher

- Aluminum alloy barrel.
- Real wood handguard and stock.
- Folding ladder-style leaf-type rear sight.
- Front and rear sling swivel.

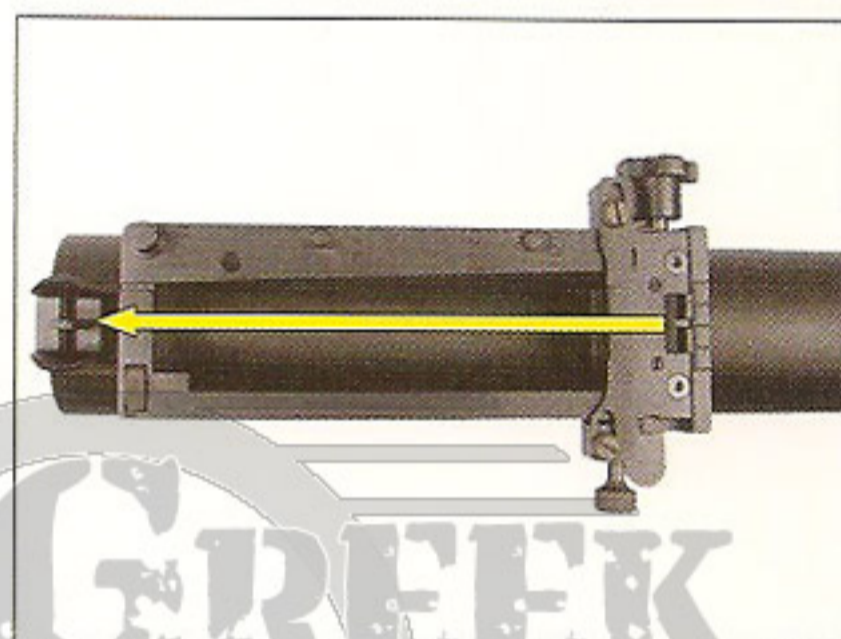
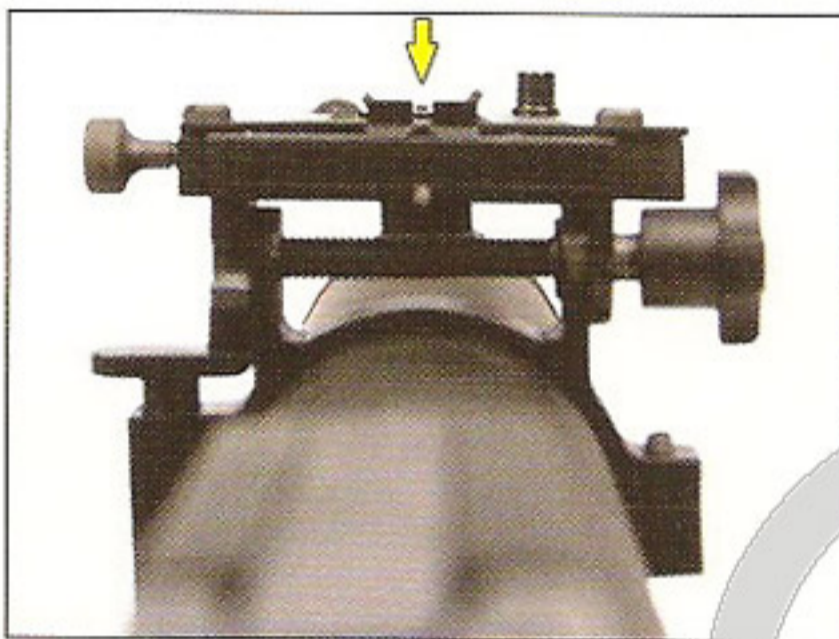
AIRSOFT



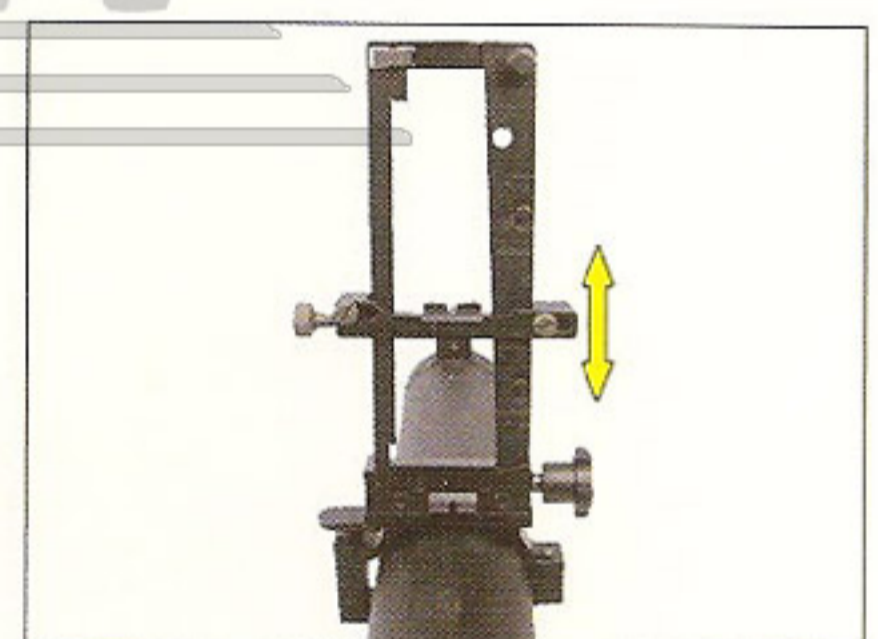
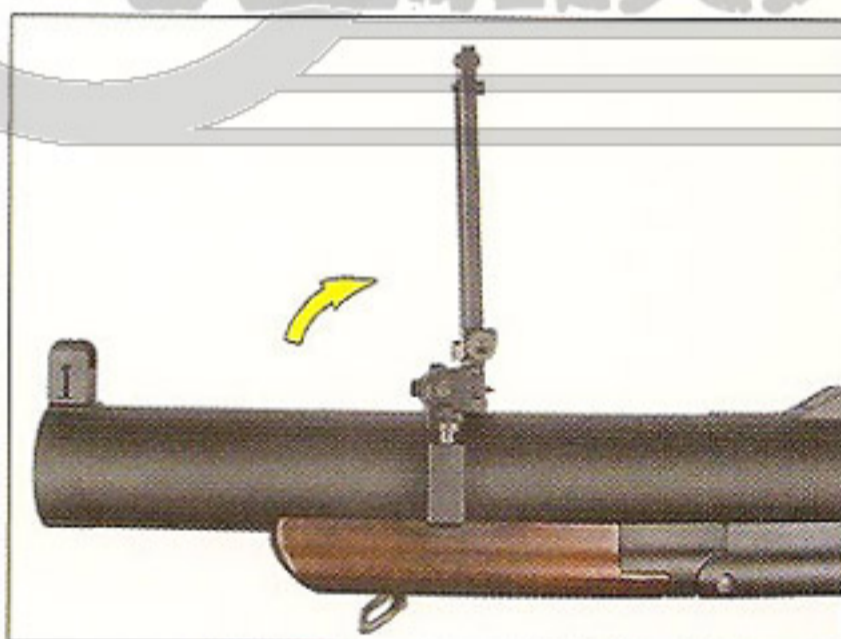
Notice Follow the instructions when operating this product

1. Always wear eyes protective gear.
2. Never look into the launcher muzzle.
3. Never point the launcher or shoot towards a person or an animal.
4. Store the launcher at places out of reach by children.
5. Always put the launcher in a case or bag when you are carrying it.
6. Always put your finger away from the trigger except when you are ready to fire.
7. Set selector lever at the safety position when not in use.

Movable parts and Features



1. Use the front and rear sights to help to aim.



2. Push the button on the left side of the rear sight to unfold the folding ladder-style leaf-type sight. User can adjust the shooting range indicator by loosening the screw button. (Shooting range scale on indicator is not accurate for the Airsoft Version of the launcher.)



3. The trigger guard can go sideways after release the detent button.

Safety Setting

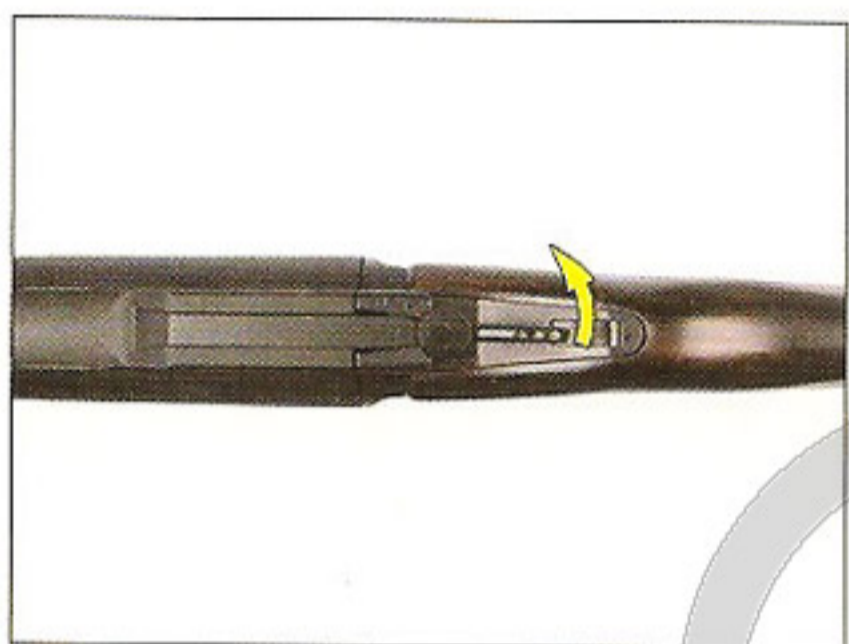


Safe:
Pull the safety backward and the symbol "S" can be seen. The trigger cannot be pulled at this position.



Fire:
Push the safety forward until the symbol "F" can be seen. Then pull the trigger to fire.

Operate the Launcher



1. To load the launcher, push the barrel locking latch to the right and open the breech. Gravity will pull down the barrel, breaking it open, and exposing the breech.



2. Insert cartridge into the barrel.



3. Close the breech by pulling up the barrel.



4. Closing the breech will cause the barrel locking latch to return to center.



5. To remove the used case, push the barrel locking latch. The extractor will push the case out, allowing the user to grasp it and remove it.

Explosive Diagram

