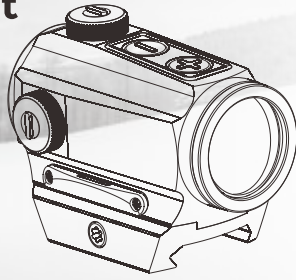


**HE403B-GR
Green Dot Sight
User's Manual**



COLOR Desert Sand
 Matte Black

www.holosun.com

Thank you for purchasing the HE403B-GR Green Dot sight, which is a monocular inner green dot sight, please read the User's Manual carefully.

Model

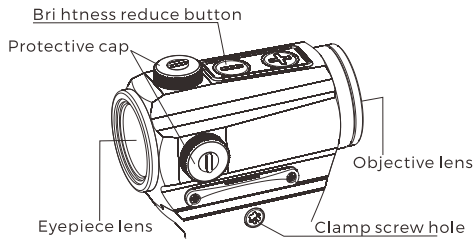


Fig1 HE403B-GR Green Dot Sight

.2.

Features

1. Advanced LED technology: Up to 50,000 hours
2. 2 MOA Dot
3. Parallax free, unlimited eye relief
4. Shake Awake™ - Motion on with last setting recall
5. 12 Brightness Settings: 10DL & 2NV
6. Memory Function for Brightness Setting
7. 1.63" Quick Detach Mount and low mount
8. Waterproof: Ip67
9. Battery Tray

.4.

out the tray, and remove the dead battery.

2) Battery installation(Fig3-2):

- a) Insert the battery into the battery tray making sure the "+" side faces down.

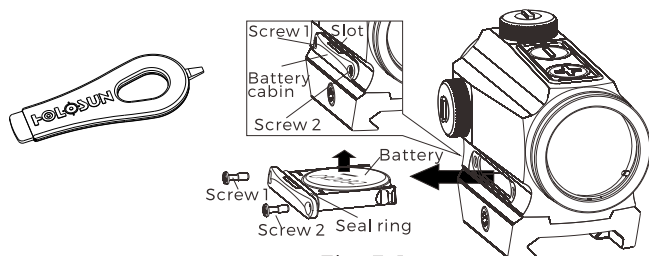


Fig 3-1

.6.

HE403B-GR

HE403B-GR: New small compact is a green dot sight. Employing new LED technology, the life time for one CR2032 battery can be up to 50,000 hours. The sight may be installed on various firearms such as shotguns, pistols, rifles, air rifles and crossbows .



1. Ensure that the firearm is completely unloaded and safe before device installation, sighting in, or installing a new Battery.
2. Please keep the packaging should you need to make a warranty claim.

.1.

Objective Lens

All mirco sights have an objective lens at the front of the unit that is positioned off axis and appears to be tilted when looking at the sight.

This angle of the front lens allows the light generated by the LED projector inside the unit to be reflected back through the rear lens. The reflected light becomes the "dot" or aiming reference that the user sees when a green dot sight is switched on.

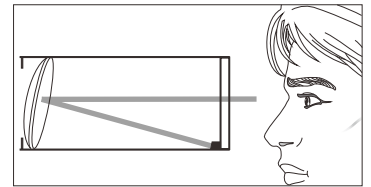


Fig2

.3.

Battery

- 1.The operating voltage for this device is DC3V using one high quality CR2032 Lithium battery included with purchase.
- 2.The high quality battery can power the device for up to 50,000 hours.

Caution: The battery is not rechargeable.

3.Battery Replacement:

- 1) Removing the battery (Fig 3-1):
 - a)Loosen screws 1,2.
 - b)Insert the included teardrop shaped tool in the battery tray slot, pry

.5.

- b) Insert and press the tray into the battery compartment.

- c) Tighten screw 1,2.

Caution:

The loss or damage of the seal ring may cause water to leak into the compartment which could damage the product.

.7.

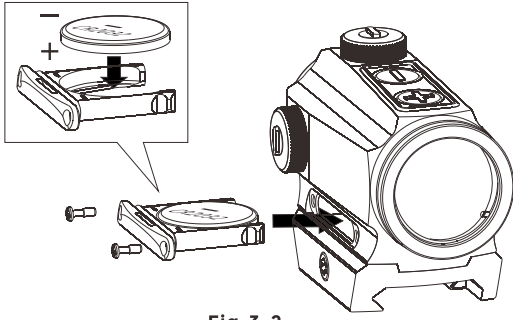


Fig 3-2

.8.

Installation

1. The mount bracket is adaptable to the firearms with Picatinny Rail.
2. First insert the appropriate Torx wrench (included) into the clamp screw head, then rotate to loosen cross bolt then slide the sight into the weapon rail to the appropriate position, and finally tighten the clamp screw. (Fig4)

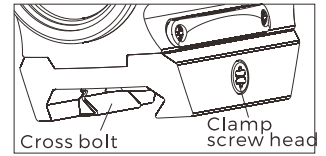


Fig 4

.9.

Sight operation

1. Switch on (see Fig5) : Press and release either brightness button ("+" or "-") to turn on the sight.
2. Power off: Press the "+" and "-" buttons simultaneously will turn the power and motion sensor off.
3. Brightness adjustment: There are 12 brightness settings. The default brightness is the 7th level. Pressing the "+" or "-" button until the green dot has a sufficient intensity to contrast against the target. One quick press and release changes brightness.
4. Sleep time mode:

.10.

iii. Press the "+" and "-" buttons simultaneously to save the time setting and power off the sight.

5. Note:

- 1) Memory function: The sight will remember the last saved brightness setting when powered on and off.
- 2) Low battery Warning: If the battery voltage is below 2.2Vdc, the reticle will blink slowly.

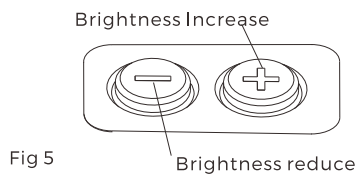


Fig 5

.12.

4. Right turning the elevation knob will moving the green dot up, left turning will lower the green dot. Similar for the windage adjusting , right turning will move the green dot to right, left turning will move it to left.

5. Caution:

Don't try to rotate the knobs, if you feel the knobs cannot be rotated which proves the adjustment limits. Otherwise the device may be damaged. If the adjusting range is beyond the limits, consider to add extra spacer between the device and mount rail to expand the adjusting range limits.

Note:

.14.

Zero setting

1. On top of sight is the elevation adjusting knob, windage adjusting knob is on the right side (see Fig6). The sight has been primarily adjusted in factory.
2. The Convex platform on the protective cap can be used for zeroing alignment (see Fig6).
3. First open the protective lid, position slot type screwdriver on the slotted screw , then rotate the screw to right or left for adjustment. Each left or right click is for one shift moving equivalent to 0.5 MOA value.

.13.

- 1) Direction adjusting marks are inside the protective cap.
- 2) The adjusting screw under the protective cap is waterproof.

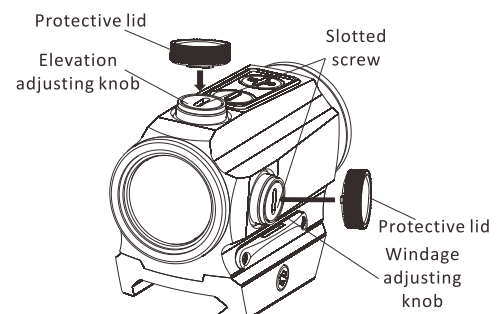


Fig 6

.15.

Maintenance & care

This device is a precision instrument that deserves reasonably cautious care. The following tips are provided to ensure a long product life. The optical lenses are multicoated optical glass. When cleaning the lenses, blow away the dust on the surface, wet the lens with lens cleaner or clean water, then wipe away smudges with lens tissue, soft cotton or a microfiber cloth. Avoid touching the glass surface with dry cloth or tissue paper. Do not use organic solvents such as alcohol or acetone. No special maintenance is needed for the housing surface. Do not try to dismantle the device as the internal parts are specially cleaned and sealed and with an anti-fog treatment. Any such attempt will void the warranty.

·16·

Limited warranty

We provide a limited lifetime warranty from the date of purchase on parts and workmanship to the original purchaser. At our sole discretion, we will repair or replace products found to be defective under normal use without charge, excluding any delivery costs, which will be born by purchaser. We will not be liable for incidental, consequential, or special damages arising out of or in any connection with the use or performance of this product. This warranty is void if the product has been misused, modified, neglected, or disassembled prior to its return. Please refer to <http://holosun.com/documentation/> for current and complete warranty information and other conditions.

·17·



HOLOSUN®



Holosun Technologies Inc.
Customer Service

Phone: 909-594-2888
Email: warranty@holosun.com

V1.2