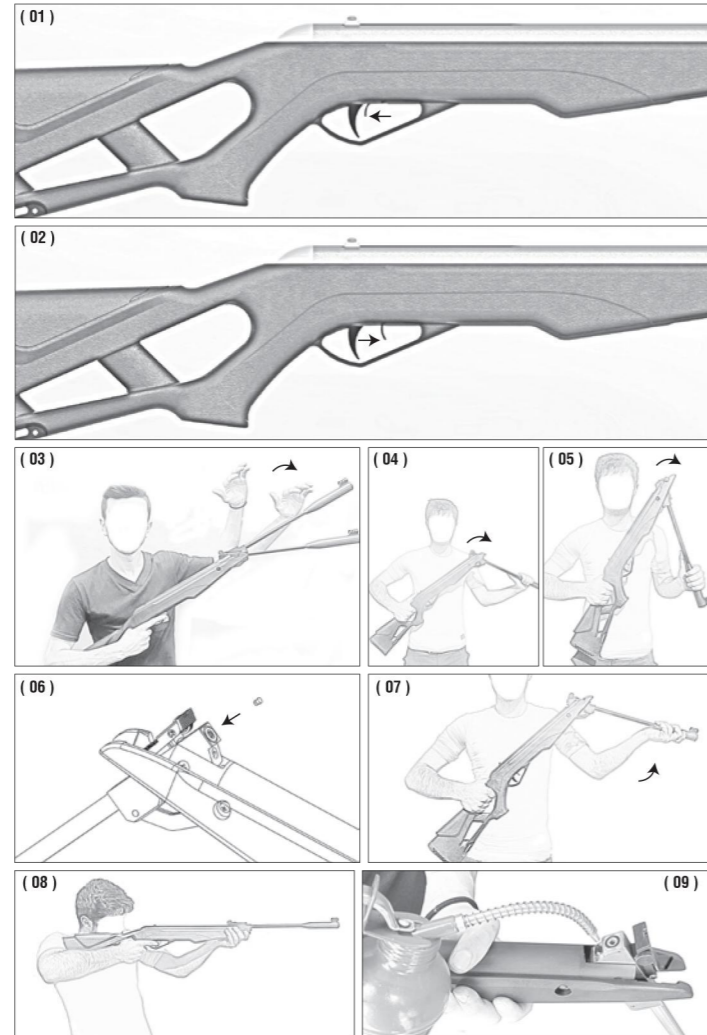




Voltran Av Silahları ve İnş. San. Tic. Ltd. Şti.
Sanayi Mh. Uran Sok. No: 7 34906
Kurtköy, Pendik - İSTANBUL / TURKEY
T: +90 (216) 420 5380 (pbx)
F: +90 (216) 527 8371

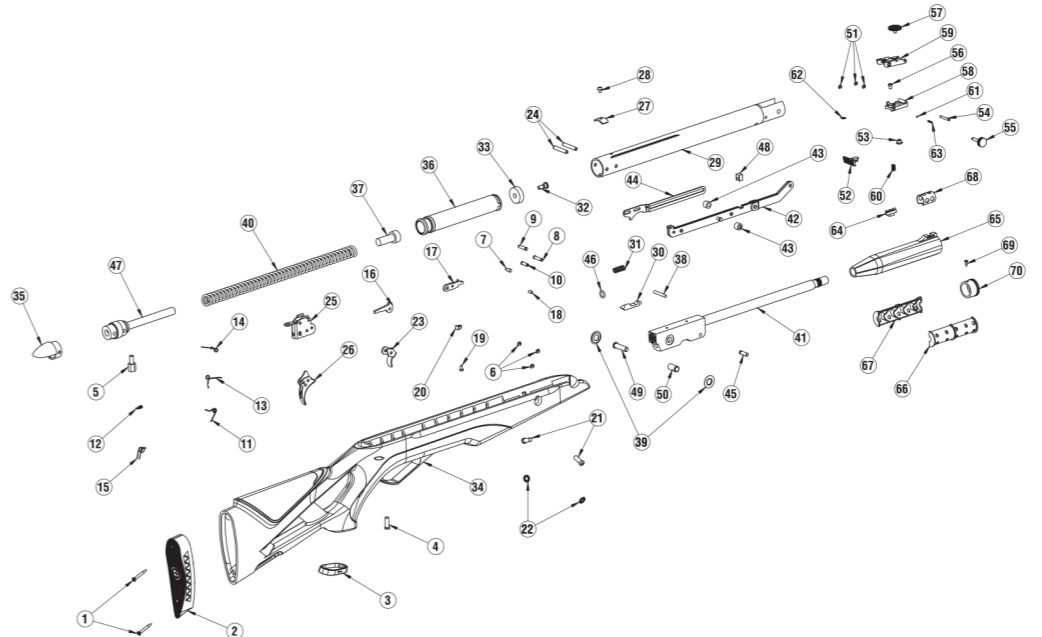
info@blank-pistol.com
voltran@blank-pistol.com
www.blank-pistol.com
www.voltran.com.tr
www.facebook.com/ekolvoltran
www.instagram.com/ekolvoltran

Satış sonrası müşteri hizmetleri • T: +90 553 842 11 84



PARÇA LİSTESİ / PART LIST

1 HT.107.01DAKV	2 HT.505.06DAKG	3 HT.1105.05DAK	4 HT.107.02KKV	5 HT.103.18TMSV	6 HT.108.07TS	7 HT.103.26TEMP	8 HT.103.21EP			
9 HT.103.25EHS	10 HT.103.22TP	11 HT.104.02TEY	12 HT.104.05EHSY	13 HT.104.08EY	14 HT.104.06TISY	15 HT.104.07PKSY	16 HT.102.05TİS	17 HT.102.07PKS	18 HT.103.20TYP	19 HT.103.28TAV
20 HT.105.16TAP	21 HT.107.03DMV	22 HT.108.03DMVP	23 HT.102.02EMS	24 HT.103.23TMSF	25 HT.102.06TMS	26 HT.1101.01T	27 HT.102.04DKS	28 1007.07KV		
29 HT.103.29PGÇG	30 HT.103.09TK	31 HT.104.03TKY	32 HT.103.19PKV	33 HT.105.22PK	34 HT.1505.01D					
35 HT.105.10PGK	36 HT.103.05PDB	37 HT.103.07PYÖT	38 HT.108.05ÇKP	39 HT.105.20TP	40 HT.104.01PY					
41 HT.103.27NTG	42 HT.102.11KSG	43 HT.105.15KSPS	44 HT.102.01EHS	45 HT.103.24PKSP	46 HT.108.02NO					
47 HT.103.12PYTG	48 HT.105.14KSÜP	49 HT.107.04ÇMV	50 HT.103.14NSB	51 HT.108.01GS	52 HT.105.18GYP					
53 HT.103.35GYS	54 HT.103.33GBP	55 HT.103.31GYAV	56 HT.103.34GMV	57 HT.105.25AG	58 HT.105.12S	59 HT.105.03SID	60 HT.105.02SIE			
61 HT.103.32GVV	62 HT.105.17GAP	63 HT.102.08GS	64 HT.104.04GYY	65 HT.2207.02EB	66 HT.105.19GŞ	67 2204.09EHY	68 HT.102.03AS	69 3007.07EMV	70 HT.105.13SÖK	



THUNDER
ES450 & ES550 & ES635



Havali tüfeğinizi kullanmadan önce bu kitapçığı dikkatlice okuyunuz.
Read this booklet carefully in its entirety before starting to use your air rifle.

Kalibre / Caliber 4,5 - 5,5 - 6,35 mm
Tam Boy / Overall Length 1155 mm
Genişlik / Width 49 mm
Yükseklik / Height 190 mm
Boş Ağırlığı / Unloaded Weight 2900 g

